

# SWITCHING POWER SUPPLY

## 60W 12V 24V 48V IP20

### TECHNICAL SHEET

AZ-12/24/4860



## FEATURES

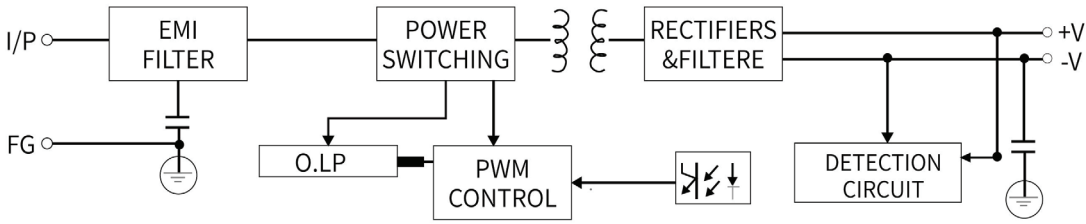
- . 100 - 240V AC input
- . Single Output
- . 90% high efficiency
- . 100% full load bur- in test
- . Protection: OTP,OLP,OVP,SCP
- . CE FCC Certified
- . 3 year warranty



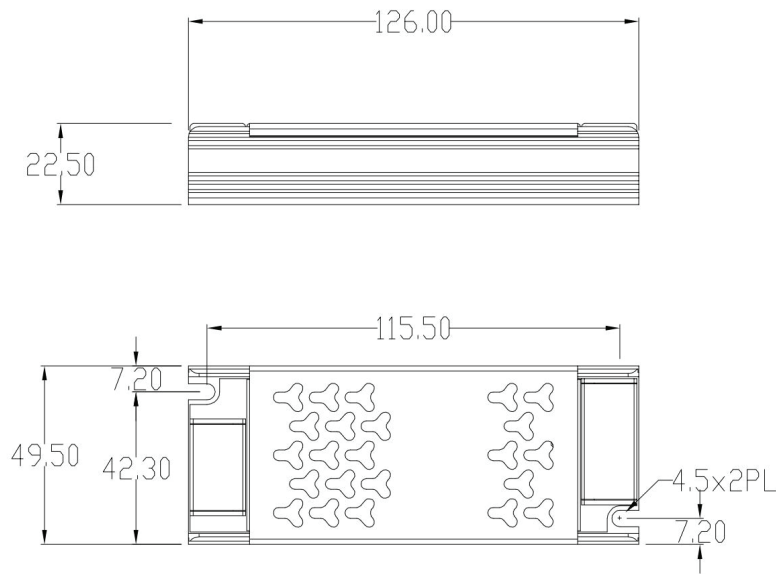
## SPECIFICATIONS

Product Code		AZ - 1260	AZ - 2460	AZ - 4860
Output	DC Voltage	12V	24V	48V
	Rated Current	5A	2,5A	1,25A
	Current Range	0~5A	0~2,5A	0~1,25A
	Voltage tolerance	±5%	±5%	±5%
	Rated Power	60W	60W	60W
	Ripple & Noise	<120mVp-p	<240mVp-p	<240mVp-p
	Start up time	<1500ms, 30 ms / 230VAC		
Input	Input voltage range	100 - 240 VAC		
	Frequency Range	50~60 Hz		
	AC Current	1.02A / 115VAC; 5.01A / 230VAC		
	Efficiency	88%	90%	90%
	No load consumption	<0.5W		
Protection	Over Load	Above 110%- 150% of rated power		
		Shut- down output voltage, auto recovery after fault condition is removed		
	Over Voltage	Above Max. Voltage (105% of rated voltage)		
		Shut- down output voltage, auto recovery after fault condition is removed		
Over Temperature	Over 130°C detected on main IC control			
	Shut- down output voltage, auto recovery after fault condition is removed			
Ambiant	Working Temp. & humidity	"- 20°C~+60°C, 20%~90%RH		
	Storage temp. & humidity	"- 40°C~+85°C, 10%~95%RH		
Tesings	Withstand voltage	I/P- O/P: 3KVAC/1min; I/P- F/G: 1.5KVAC/1min; O/P- F/G: 0.5KVAC/1min;		
	Safety	GB4943 ;EN62608- 1		
	EMC	EN550 32:20 15/AC:20 16 EN6 1000- 3- 3:20 13 EN550 24:20 10+A1:20 15		
Other	Lifespan	20000 hrs		
	Demension(L*W*H)	126*50 *22mm (L*W*H)		
	Packing	0.18kg/pcs, 100 pcs/18kg/CTN		
Note	1, The above mentioned data were measured at 230VAC input and 25°C. 2, Dis- connect the AC input before checking any mal- phenomenons. 3, Make sure the INPUT&OUPUT were in right situation before connected to power supply. 4, Datesheet for reference only. We suggest you take sampling before mass orders.			

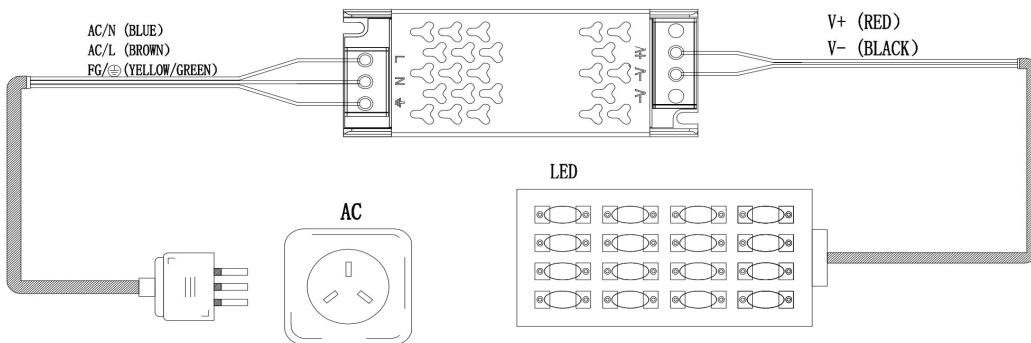
## Block Diagram



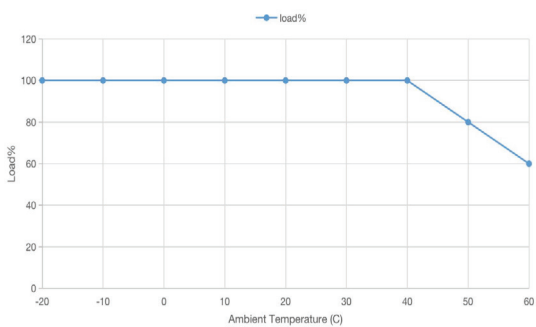
## Mechanical Specification



## Wiring Diagram



## Temperature Derating Curve



## Output Load VS Input Voltage

